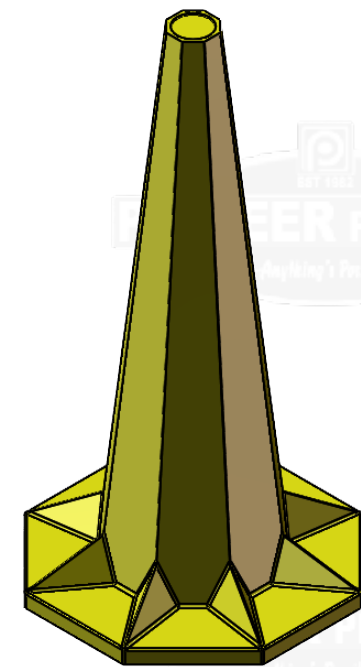
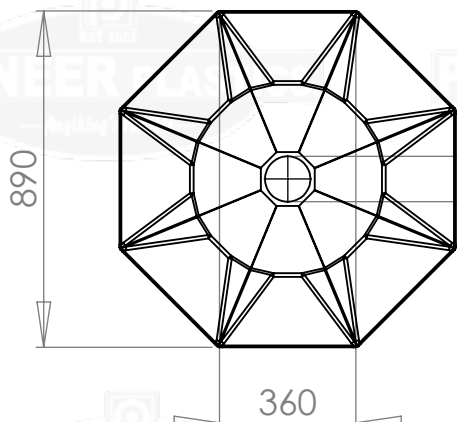
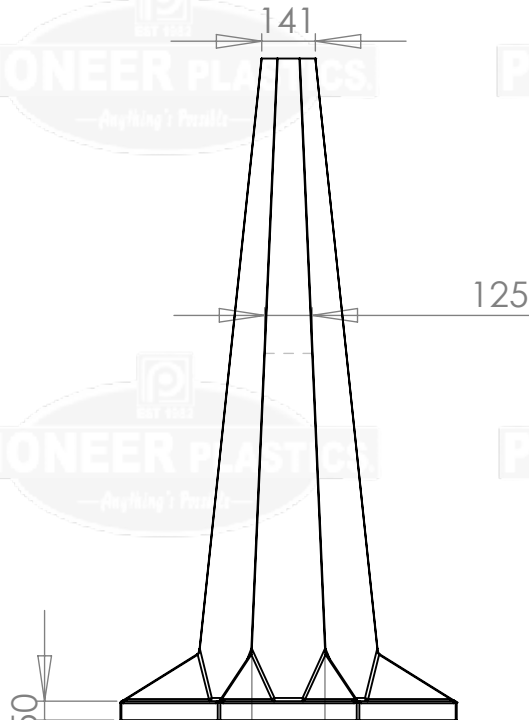
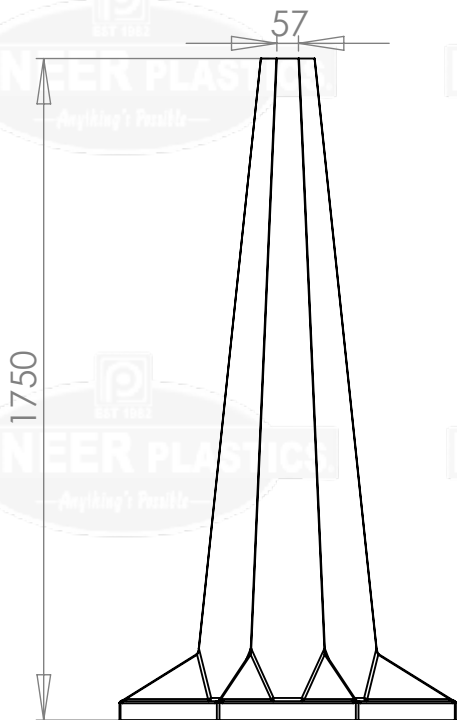


2

4

5

6



*The ownership of any and all copyright subsisting in this drawing vests in and remains the exclusive property of Pioneer Plastics (Pty) Limited. Reproduction, publication, copying, distributing, making an adaption, or any unauthorised disclosure of the drawing, in whole or in part, in any manner or form, without the prior written consent of Pioneer Plastics (Pty) Limited, is strictly prohibited. Pioneer Plastics (Pty) Limited reserves the right to take legal action against anycontravention of this provision.*

Tolerance: 1%



MATERIAL: LLDPE  
 DATE: 2022/07/12  
 DO NOT SCALE DRAWING  
 DRAWN BY: MR.Botes  
 REVISION: 00

TITLE:  
 1.75m Cone  
 DWG NO. PA257  
 A4  
 AFMISA  
 SGS

COLOUR: To be specified by customer  
 SCALE:1:20  
 SHEET 1 OF 1