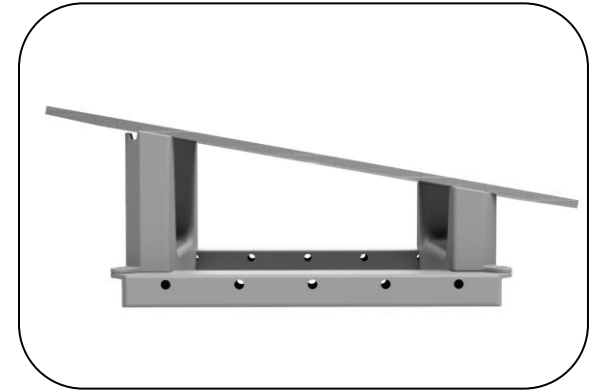
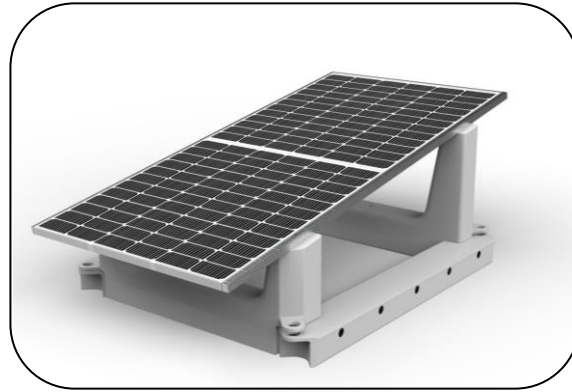


Solar Panel Float



PATENT PENDING No. 2023/06193

Solar Panel Float

An aerial view of a solar panel float system. The image shows a large array of rectangular solar panels mounted on a grid of blue floating buoys. The panels are arranged in a staggered pattern, and the entire system is situated on a body of water. The perspective is from a high angle, looking down at the panels and the surrounding water.

PATENT PENDING No. 2023/06193

Solar Panel Float



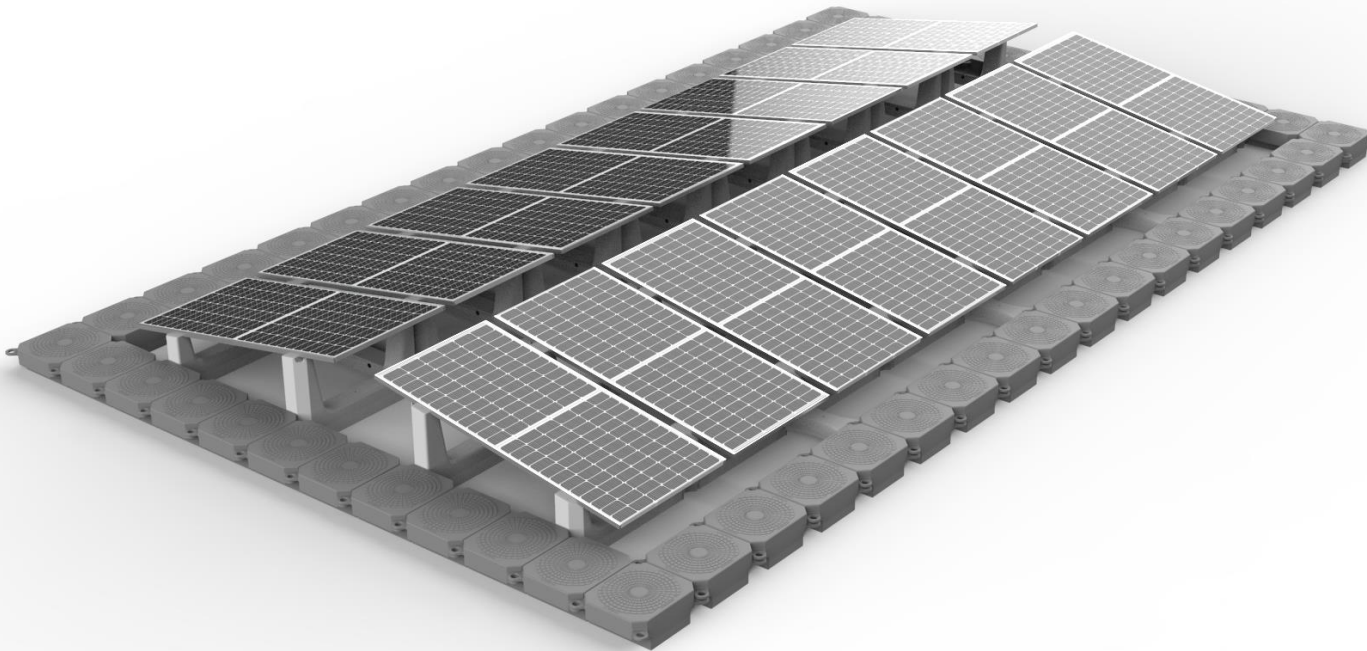
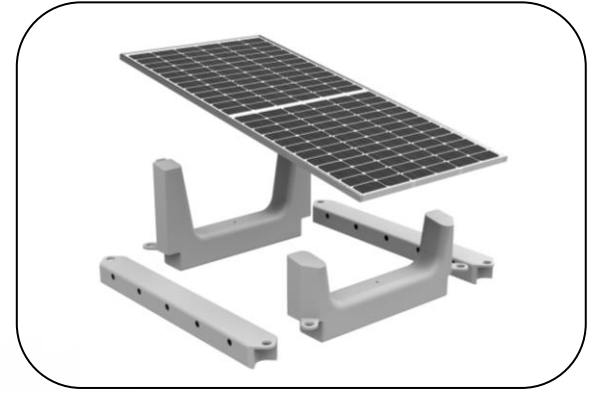
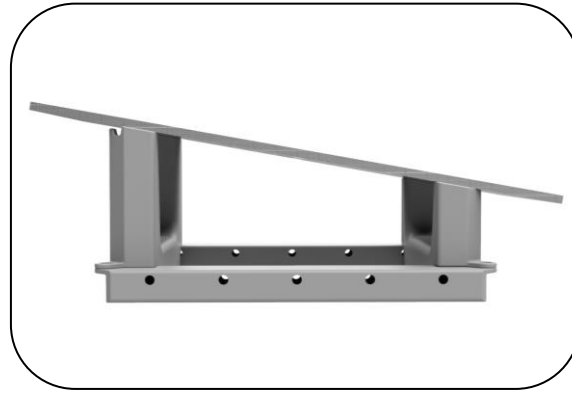
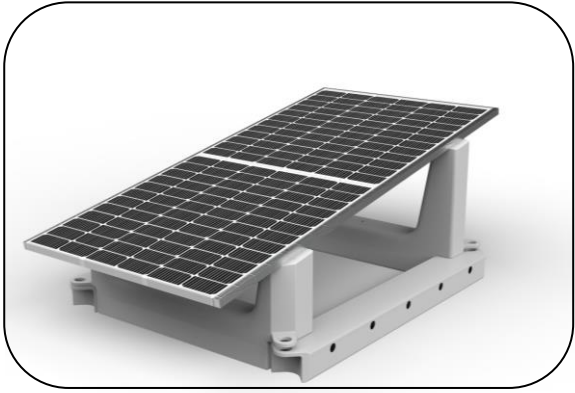
PATENT PENDING No. 2023/06193

Solar Panel Float



PATENT PENDING No. 2023/06193

Solar Panel Float



PATENT PENDING No. 2023/06193